

## Parameter

Model:	<b>EN1-1-2</b>
Size:	135mm×102mm×26mm
Color:	Deep blue
Weight:	0.16kg
Box:	285mm×240mm×82mm
Box color:	Black
Box weight:	1.6kg
Temperature:	<60□
Humidity:	10% ~ 95% R.H
Voltage:	DC 12V
Current:	< 130mA
Power:	≤1W
Power off protecton:	10 years

## Connection

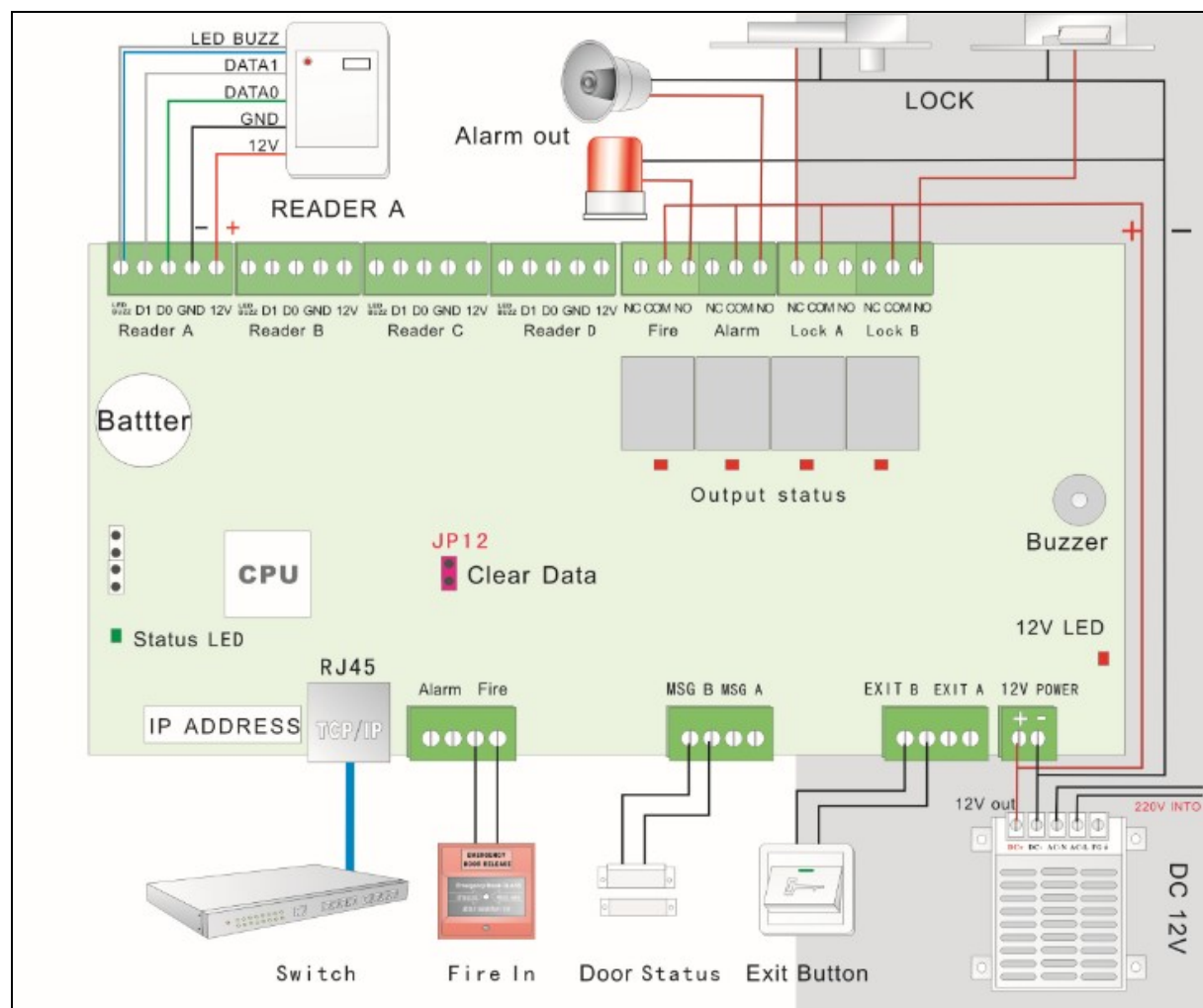
Card readers:	2 pcs (WG card reader\HID\Motorola or other wiegand communication device)
Alarm output:	0 pc (1-65535 sec.)
Alarm input:	0 pcs
Fire alarm output:	1 pc
Fire alarm input:	1 pc
Release button:	1 pcs
Door sensor input:	1 pcs
Lock output:	1 pcs

## Function parameter

Card holder:	30000
Logs:	60000
Alarm capacity:	10000
Communication:	TCP/IP
Communication distance:	100 meters between access controller and HUB
Card reading:	Wiegand
Communication :	100 meters
Door opening methods:	Card, password, card+password, double bard, first card opening, software, fire alarm, release button,timing door opening

## Features

- Standard10MTCP/IP communication;
- Built in webserver function, do not need install software, just inputting IP address, and proceeding setting and log checking
- Can connecting other multi door access controller to set up a network and manage in one software
- Capacity: 30000 cards, 60,000 records, 1000 alarm records
- Time zone: 16 groups, and can setting related multi door opening method like card, card + password, double card...
- Support remote door opening, remote open or close fire alarm, alarm
- Support many alarm events' output, like invalid card, invalid time, door alarm, door opening time surpassing.
- Support 2 wiegand card reader, automatically 26,34,37 protocol
- Support 6 output to control door and alarm output together, and timing alarm output
- Support multi door inter lock, and anti pass back function

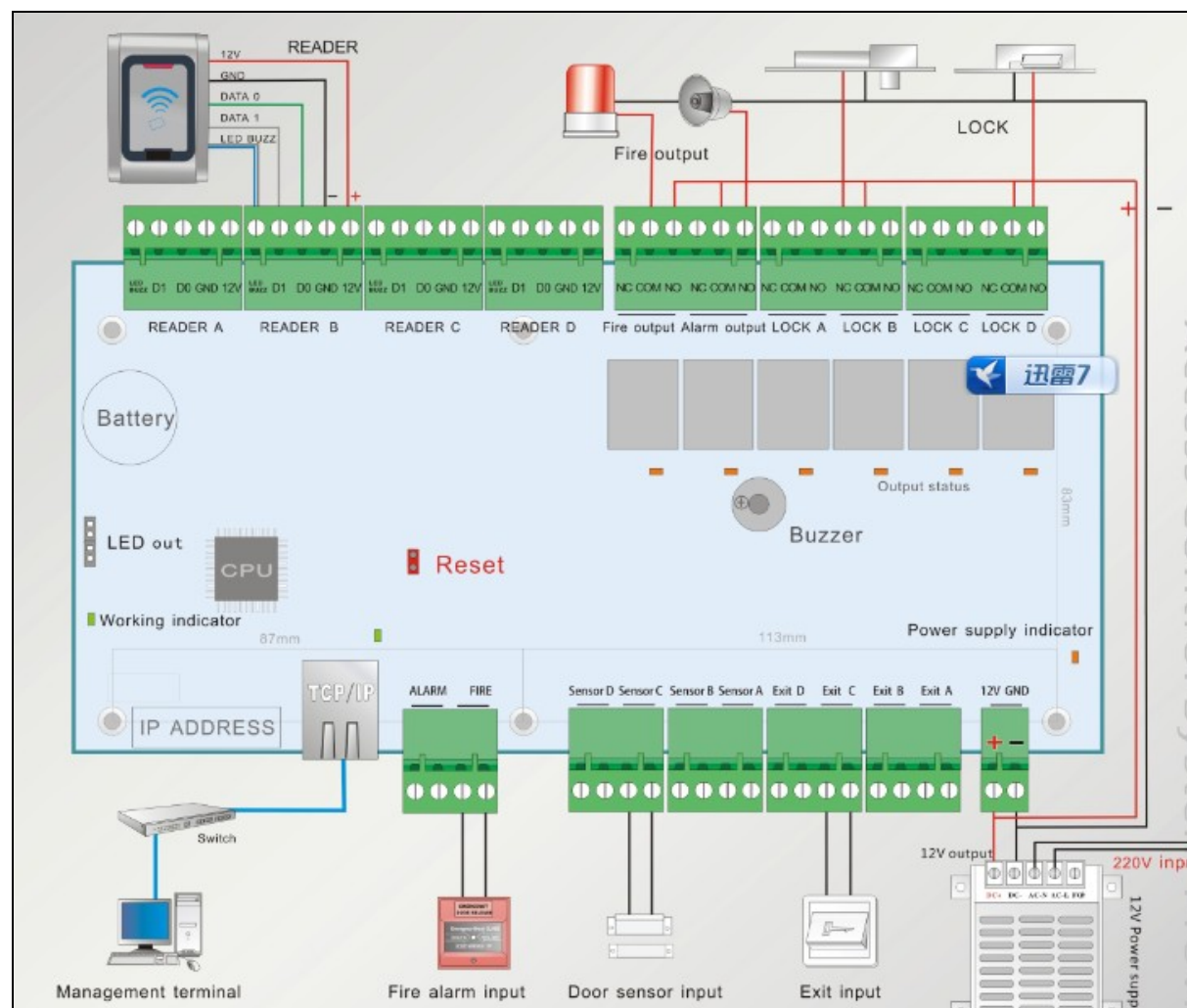


Parameter	
Model:	<b>EN2-2-4</b>
Size:	218mm×130mm×23mm
Color:	Deep blue
Weight:	0.22kg
Box:	285mm×240mm×82mm
Box color:	Black
Box weight:	1.6kg
Temperature:	<60□
Humidity:	10% ~ 95% R.H
Voltage:	DC 12V
Current:	< 130mA
Power:	≤1W
Power off protecton:	10 years

Connection	
Card readers:	4 pcs (WG card reader\HID\Motorola or other wiegand communication device)
Alarm output:	1 pc (1-65535 sec.)
Alarm input:	1 pcs
Fire alarm output:	1 pc
Fire alarm input:	1 pc
Release button:	2 pcs
Door sensor input:	2 pcs
Lock output:	2 pcs

Function parameter	
Card holder:	30000
Logs:	60000
Alarm capacity:	10000
Communication:	TCP/IP
Communication distance:	100 meters between access controller and HUB
Card reading:	Wiegand
Communication :	100 meters
Door opening methods:	, password, card+password, double bard, first card opening, software, fire alarm, release button,timing door opening

Features	
Standard	10MTCP/IP communication;
Built in	webservice function, do not need install software, just inputting IP address, and proceeding setting and log checking
Can connecting	other multi door access controller to set up a network and manage in one software
Capacity:	30000 cards, 60,000 records, 1000 alarm records
Time zone:	16 groups, and can setting related multi door opening method like card, card + password, double card....
Support	remote door opening, remote open or close fire alarm, alarm
Support	many alarm events' output, like invalid card, invalid time, door alarm, door opening time surpassing.
Support	4 wiegand card reader, automatically 26,34,37 protocal
Support	6 output to control door and alarm output together, and timing alarm output
Support	multi door inter lock, and anti pass back function



## Parameter

Model:	<b>EN4-4-4</b>
Size:	218mm×130mm×23mm
Color:	Deep blue
Weight:	0.22kg
Box:	285mm×240mm×82mm
Box color:	Black
Box weight:	1.6kg
Temperature:	<60℃
Humidity:	10% ~ 95% R.H
Voltage:	DC 12V
Current:	< 130mA
Power:	≤1W
Power off protection:	10 years

## Connection

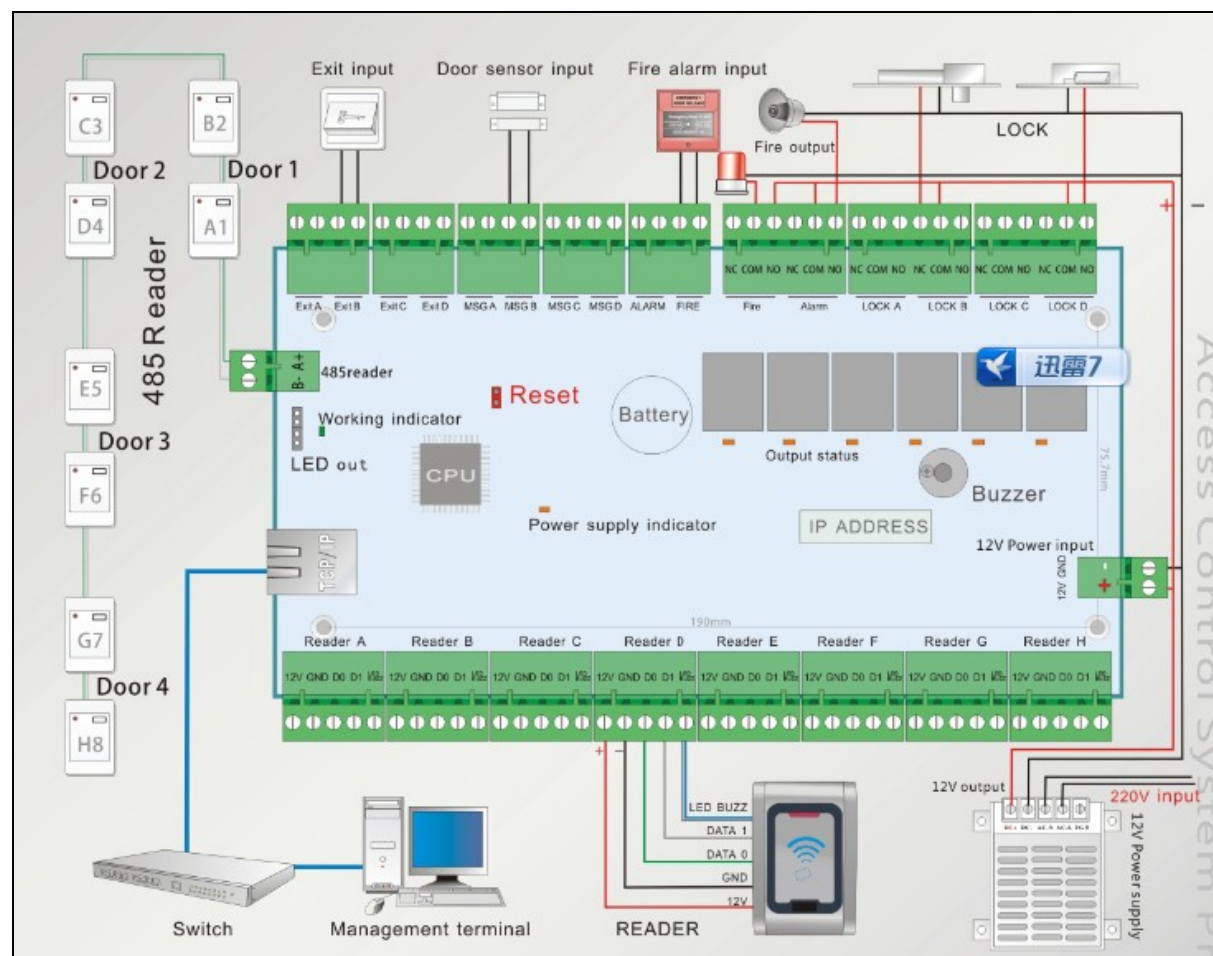
Card readers:	4 pcs (WG card reader\HID\Motorola or other wiegand communication device)
Alarm output:	1 pc (1-65535 sec.)
Alarm input:	1 pc
Fire alarm output:	1 pc
Fire alarm input:	1 pc
Release button:	4 pcs
Door sensor input:	4 pcs
Lock output:	4 pcs

## Function parameter

Card holder:	54000
Logs:	60000
Alarm capacity:	10000
Communication:	TCP/IP
Communication distance:	100 meters between access controller and HUB
Card reading:	Wiegand
Communication :	100 meters
Door opening methods:	Card, password, card+password, double card, first card opening, software, fire alarm, release button, timing door opening

## Features

- Standard 10M TCP/IP communication;
- Built in webserver function, do not need install software, just inputting IP address, and proceeding setting and log checking
- Can connecting other multi door access controller to set up a network and manage in one software
- Capacity: 54000 cards, 60,000 records, 1000 alarm records
- Time zone: 16 groups, and can setting related multi door opening method like card, card + password, double card....
- Support remote door opening, remote open or close fire alarm, alarm
- Support many alarm events' output, like invalid card, invalid time, door alarm, door opening time surpassing.
- Support 2 wiegand card reader, automatically 26,34,37 protocol
- Support 6 output to control door and alarm output together, and timing alarm output
- Support multi door inter lock, and anti pass back function



## Parameter

Model : **EN4-4-8**  
 Size : 232mm×134mm×22mm  
 Color : Deep blue  
 Weight : 0.3kg  
 Box : 380mm×300mm×75mm  
 Box color : Black  
 Box weight : 2.5kg  
 Temperature : <60℃  
 Humidity : 10% ~ 95% R.H  
 Voltage : DC 12V  
 Current : < 240mA  
 Power : ≤1W  
 Power off protection : 10 years

## Connection

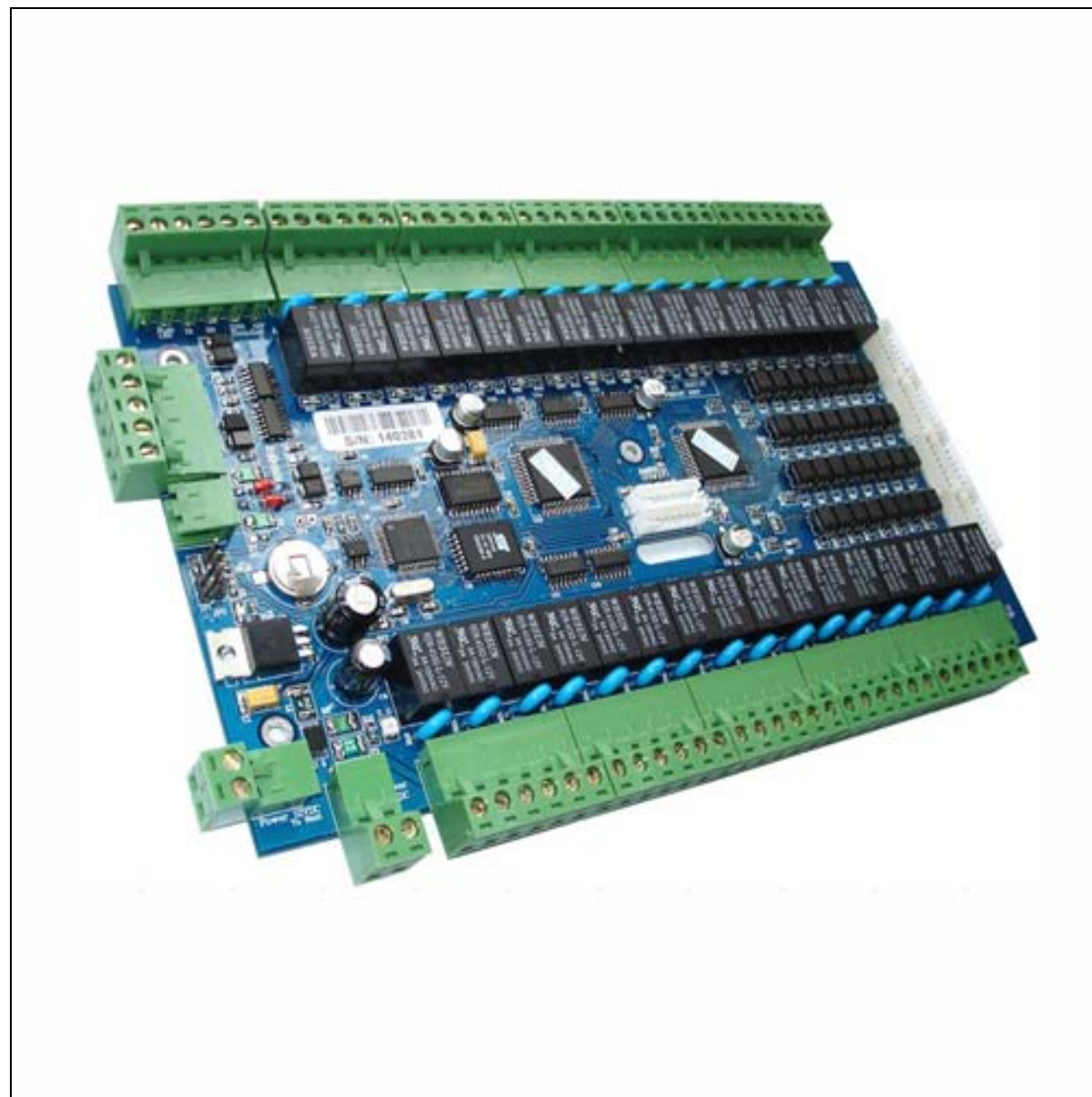
Card readers : 8 pcs ( WG card reader\HID\Motorola or other wiegand communication device )  
 Alarm output : 1 pc ( 1 - 65535 sec. )  
 Alarm input : 1 pcs  
 Fire alarm output : 1 pc  
 Fire alarm input : 1 pc  
 Release button : 4 pcs  
 Door sensor input : 4 pcs  
 Lock output : 4 pcs

## Function parameter

Card holder : 30000  
 Logs : 60000  
 Alarm capacity : 10000  
 Communication : TCP/IP, Webserver  
 Communication distance : 1200 meters(it will better if we can control it within 800 meters)  
 Card reading : Wiegand or RS485  
 Communication : 100 meters  
 Door opening methods : Card, password, card+password, double card, first card opening, software, fire alarm, release button, timing door opening

## Features

Standard 485 (baute rate 9600)  
 Can connecting other multi door access controller to set up a network and manage in one software  
 Capacity: 30000 cards, 60,000 records, 1000 alarm records  
 Time zone: 16 groups, and can setting related multi door opening method like card, card + password, double card...  
 Support remote door opening, remote open or close fire alarm, alarm  
 Support many alarm events' output, like invalid card, invalid time, door alarm, door opening time surpassing.  
 Support 4 wiegand card reader, automatically 26,34,37 protocol  
 Support 6 output to control door and alarm output together, and timing alarm output  
 Support multi door inter lock, and anti pass back function



## Parameter

Model : **EN32-32-1**  
Size : 232mm×134mm×22mm  
Color : Deep blue  
Weight : 0.3kg  
Box : 380mm×300mm×75mm  
Box color : Black  
Box weight : 2.5kg  
Temperature : <60°C  
Humidity : 10% ~ 95% R.H  
Voltage : DC 12V  
Current : < 240mA  
Power : ≤1W  
Power off protection : 10 years

## Connection

Card readers : 1 pcs ( WG card reader\HID\Motorola or other wiegand communication device )  
Alarm output : 1 pc ( 1 - 65535 sec. )  
Alarm input : 1 pcs  
Fire alarm output : 1 pc  
Fire alarm input : 1 pc  
Release button : 0 pcs  
Door sensor input : 0 pcs  
Lock output : 32 pcs

## Function parameter

Card holder : 30000  
Logs : 60000  
Alarm capacity : 10000  
Communication : TCP/IP, Web server  
Communication distance : 1200 meters(it will better if we can control it within 800 meters)  
Card reading : Wiegand or RS485  
Communication : 100 meters  
Door opening methods : Card, password, card + password, double card, first card opening, software, fire alarm, release button, timing door opening

## Features

Standard 485 (baud rate 9600)  
Can connecting other multi door access controller to set up a network and manage in one software  
Capacity: 30000 cards, 60,000 records, 1000 alarm records  
Time zone: 16 groups, and can setting related multi door opening method like card, card + password, double card...  
Support remote door opening, remote open or close fire alarm, alarm  
Support many alarm events' output, like invalid card, invalid time, door alarm, door opening time surpassing.  
Support 4 wiegand card reader, automatically 26,34,37 protocol  
Support 6 output to control door and alarm output together, and timing alarm output  
Support multi door inter lock, and anti pass back function